

REVISION HISTORY			
REV	DESCRIPTION	INCRP BY	DATE
1	ADDED BTRN TO SELECTION LIST	RGB	11/07/08
2	ADDED TORQUE TRACK SELECTION, SWITCHED QUILL CON TO 4	RGB	12/10/09

1 2514
(250Y Option Shown)

CONFIGURATION SELECTED:

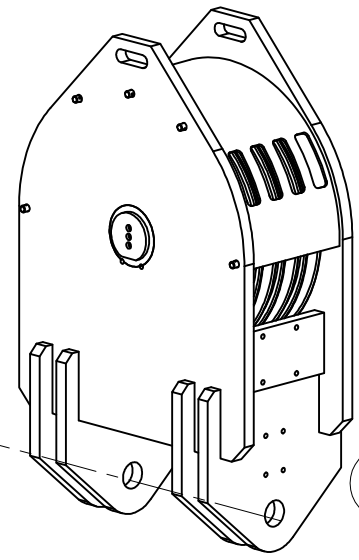
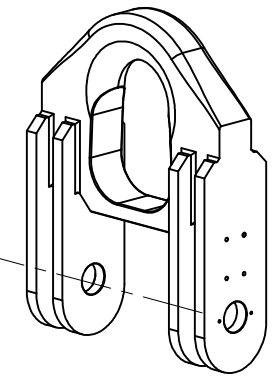
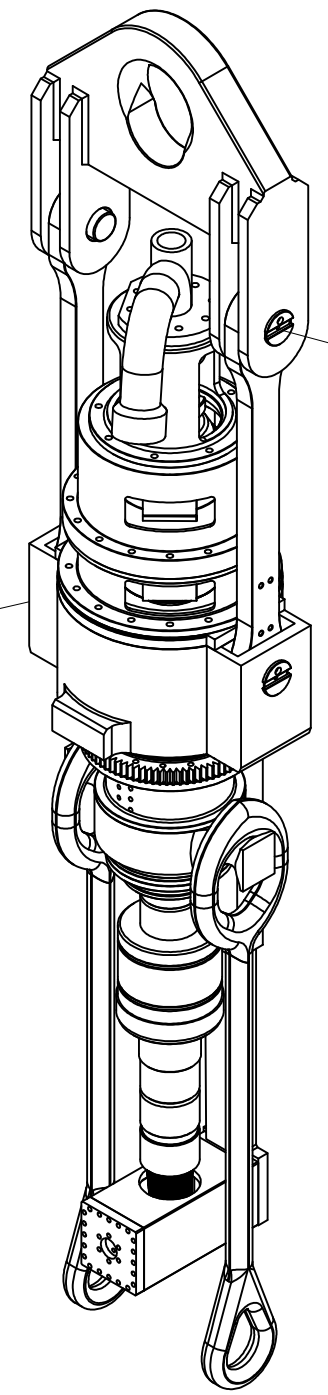
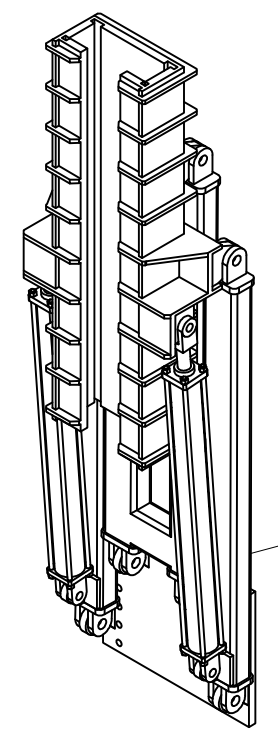
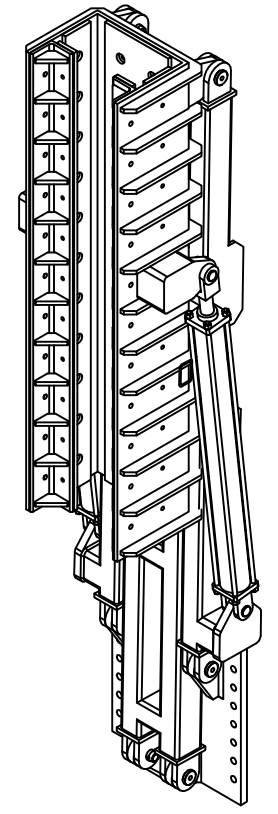
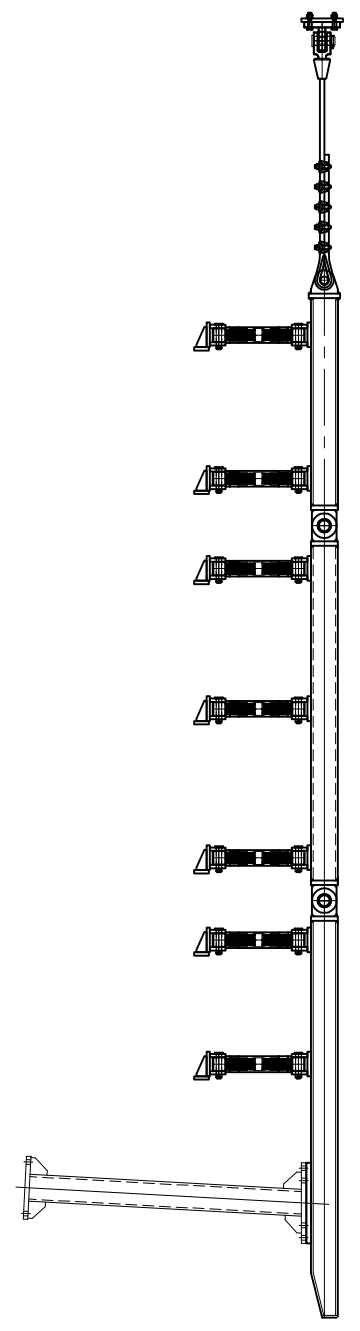
- 1 SWIVEL BODY 2 TORQUE RESTRAINT 3 HANGING ASSEMBLY 4 TORQUE TRACK

1	CONFIGURATION	DRAWING NO.	DESCRIPTION
	2514	250001	SWIVEL BODY ASSEMBLY

2	CONFIGURATION	DRAWING NO.	DESCRIPTION
	BTRS	250100	STANDARD BACK TORQUE RESTRAINT
	BTRN	250137	NARROW BACK TORQUE RESTRAINT

3	CONFIGURATION	DRAWING NO.	DESCRIPTION
	250Y	250039	250 TON YOKE
	250IB3610	FDS-IB3610-01	INTEGRATED BLOCK ASSEMBLY(36" X 10 LINE)

4	CONFIGURATION	DRAWING NO.	DESCRIPTION
	BTRS-DB	FDS-BTRS-TT-DB-01	STANDARD 6X12 TRACK FOR MAST DOUBLE
	BTRS-TRP	FDS-BTRS-TT-TRP-01	STANDARD 6X12 TRACK FOR MAST TRIPLE
	BTRN-DB	FDS-BTRN-TT-DB-01	NARROW 4X12 TRACK FOR MAST DOUBLE
	BTRN-TRP	FDS-BTRN-TT-TRP-01	NARROW 4X12 TRACK FOR MAST TRIPLE



- 4 BTRS-DB
- 4 BTRS-TRP
- 4 BTRN-DB
- 4 BTRN-DB

QUILL CONNECTION
NC40 Pin

CUSTOMER: _____

QUANTITY: _____

P.O.# _____

INVOICE #: _____

DELIVERY DATE: _____

SELECTED BY: _____

QUILL CONNECTION: _____

SPECIAL REQUIREMENTS: _____

ITEM NO.	QTY	PART OR DRAWING NO.	WEIGHT TOTAL	NOMENCLATURE OR DESCRIPTION	MATERIAL SPECIFICATION
BILL OF MATERIALS					
<p>FLUID DESIGN SOLUTIONS Inc.</p> <p>TITLE: 250 TON TOP DRIVE TRACK STLYE CONFIGURATION SHEET</p> <p>DRAWN BY: RGB 10/03/08 CHECKED BY: -</p> <p>SCALE: NTS PROJECT NO.: SHEET 1 OF 1 DWG NO.: FDS250TS-SALES REV 2</p>					

APPLICATION	USED ON	TOLERANCES (U.I.N.O.):
		XX.XX ± 0.060
		XX.X ± 0.030
		XX.XX ± 0.010
		XX.XXX ± 0.002
		ANGLE ± 0.5°
		SURFACE FINISH 63 RMS
		CONCENTRICITY 0.005
		T.I.S. MAXIMUM
		BREAK & DE-BURR EDGES

THIS DRAWING CONTAINS CONFIDENTIAL AND PROPRIETARY INFORMATION. ITS CONTENTS SHALL NOT BE DISCLOSED TO OTHER PARTIES, NOR MAY ITS CONTENTS BE REPRODUCED OR ENCLOSED IN WHOLE OR IN PART, OR BE USED TO MANUFACTURE FOR USE OF SALE BY ANY OTHER PERSON WITHOUT WRITTEN CONSENT OF FLUID DESIGN SOLUTIONS INC.